



5V and 3.3V Supply Monitor, Watchdog Timer, Manual Reset, with Active High & Low Resets



FEATURES

- Selectable reset voltage tolerance
 - CAT1232LP for 5V supply
 - CAT1832 for 3.3V supply
- Selectable watchdog period: 150ms, 600ms or 1.2s
- Two reset outputs
 - Active high, push-pull reset output
 - Active low, open-drain reset output (CAT1232LP)
 - Active low, push-pull reset output (CAT1832)
- Debounced manual push-button reset
- Compact SOIC and MSOP packages

For Ordering Information details, see page 11.

APPLICATIONS

- Microprocessor Systems
- Portable Equipment
- Controllers
- Single Board Computers
- Instrumentations
- Telecommunications

DESCRIPTION

The CAT1232LP and CAT1832 microprocessor supervisors can halt and restart a “hung-up” or “stalled” microprocessor, restart a microprocessor after a power failure, and debounce a manual/push-button microprocessor reset switch. The devices are drop in replacements for the Maxim/Dallas Semiconductor DS1232LP and DS1832 supervisors

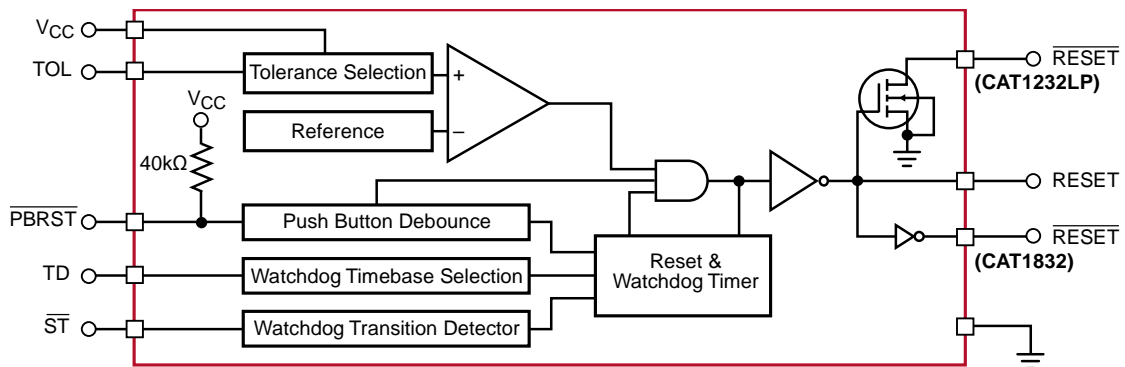
Precision reference and comparator circuits monitor the 5V or 3.3V system power supply voltage, V_{CC} . During power-up or when the power supply falls outside selectable tolerance limits, both the RESET and $\overline{\text{RESET}}$ become active. After the power supply voltage rises above the RESET threshold voltage, the reset signals remain active for a minimum of 250ms, allowing the power supply and system processor to stabilize. The trip-point tolerance input, TOL, selects the trip level tolerance to be either 5% or 10% for the CAT1232LP 5V supply and 10% or 20% for the CAT1832 3.3V supply.

Each device has a push-pull, active HIGH reset output. The CAT1232LP also has an open drain, active LOW reset output while the CAT1832 also has a push-pull, active LOW reset output.

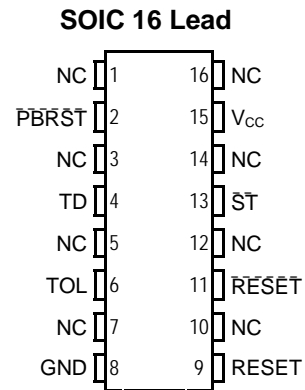
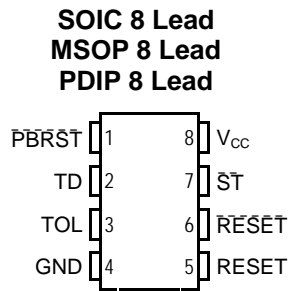
A debounced manual reset input activates the reset outputs and holds them active for a minimum period of 250ms after being released.

Also included is a watchdog timer to reset a microprocessor that has stopped due to a software or hardware failure. Three watchdog time-out periods are selectable: 150ms, 600ms and 1.2s. If the ST input is not strobed low before the watchdog time out period expires, the reset signals become active for a minimum of 250ms.

FUNCTIONAL DIAGRAM



PIN CONFIGURATION



PIN DESCRIPTION

Pin Number 8-Lead Package	Pin Number 16-Lead Package	Name	Function
1	2	PBRST	Debounced manual pushbutton reset input
2	4	TD	Watchdog typical time delay selection: a) $t_{TD} = 150\text{ms}$ for TD = GND b) $t_{TD} = 600\text{ms}$ for TD = Open c) $t_{TD} = 1200\text{ms}$ for TD = V _{CC}
3	6	TOL	CAT1232LP TOL selects 5% (TOL = GND) or 10% (TOL = V _{CC}) trip point tolerance. CAT1832 TOL selects 10% (TOL = GND) or 20% (TOL = V _{CC}) trip point tolerance.
4	8	GND	Ground
5	9	RESET	Active HIGH reset output. RESET is active 1. If V _{CC} falls below the reset voltage trip point 2. If PBRST is low 3. If ST is not strobed low before the timeout period set by TD expires. 4. During power-up.
6	11	RESET	Active LOW reset output. (See RESET)
7	13	ST	Strobe Input
8	15	V _{CC}	Power Supply
	1, 3, 5, 7, 10, 12, 14, 16	NC	No internal connection

ABSOLUTE MAXIMUM RATINGS (*)

Parameters	Ratings	Units
Voltage on V _{CC}	-0.5 to 7.0	V
Voltage on ST and TD	-0.5 to V _{CC} + 0.5	V
Voltage on PBRST, RESET and RESET	-0.5 to V _{CC} + 0.5	V

Parameters	Ratings	Units
Maximum Junction Temperature	125	°C
Storage Temperature Range	-65 to +150	°C
Lead Soldering Temperature (10s)	300	°C
Operating Temperature Range	-40 to +85	°C

Note:

* Stresses above those listed under "Absolute Maximum Ratings" may cause permanent damage to the device. These are stress ratings only, and functional operation of the device at these or any other conditions outside of those listed in the operational sections of this specification is not implied. Exposure to any absolute maximum rating for extended periods may affect device performance and reliability.

ELECTRICAL CHARACTERISTICS

Unless otherwise stated, 1.0V - V_{CC} - 5.5V and over the operating temperature range of -40°C to +85°C. All voltages are referenced to ground.

Symbol	Parameter	Conditions	Min	Typ	Max	Units
V_{CC}	Supply Voltage		1.0		5.5	V
I_{CC1}	Supply Current	$V_{CC} = 5.5V$, CAT1232LP		35	50	μA
		$V_{CC} = 3.6V$, CAT1832		20	35	
V_{IH}	ST and PBRST Input High Level	(5)	2		$V_{CC} + 0.3V$	V
		(6)	$V_{CC} - 0.4V$			
V_{IL}	ST and PBRST Input Low Level	$V_{CC} = 5.5V$, CAT1232LP	-0.3		0.8	V
		$V_{CC} = 3.6V$, CAT1832			0.5	
V_{CCTP}	V_{CC} Trip Point (TOL = GND)	CAT1232LP	4.50	4.62	4.74	V
V_{CCTP}	V_{CC} Trip Point (TOL = V_{CC})	CAT1232LP	4.25	4.37	4.49	V
V_{CCTP}	V_{CC} Trip Point (TOL = GND)	CAT1832	2.80	2.88	2.97	V
V_{CCTP}	V_{CC} Trip Point (TOL = V_{CC})	CAT1832	2.47	2.55	2.64	V
t_{TD}	Watchdog Time-Out Period	TD = GND	62.5	150	250	ms
t_{TD}	Watchdog Time-Out Period	TD = V_{CC}	500	1200	2000	ms
t_{TD}	Watchdog Time-Out Period	TD floating	250	600	1000	ms
V_{OH}	Output Voltage	$I = -500\mu A$ ⁽³⁾	$V_{CC} - 0.5V$	$V_{CC} - 0.1V$		V
I_{OH}	Output Current	Output = 2.4V ⁽²⁾		-350		μA
I_{OL}	Output Current	Output = 0.4V,	10			mA
I_{IL}	Input Leakage	(1)	-1.0		1.0	μA
R_{PU}	Internal Pull-Up Resistor	(1)	32	40	55	k Ω
C_{IN}	Input Capacitance				5	pF
C_{OUT}	Output Capacitance				7	pF
t_{PB}	PBRST Manual Reset Minimum Low Time	PBRST = V_{IL}	20			ms
t_{RST}	Reset Active Time		250	600	1000	ms
t_{ST}	ST Pulse Width	(4)	20			ns
t_{RPD}	V_{CC} Fail Detect to RESET or RESET			5	8	μs
t_F	V_{CC} Slew Rate		20			μs
t_{PDLY}	PBRST Stable LOW to RESET and RESET Active				20	ms
t_{RPU}	V_{CC} Detect to RESET or RESET Inactive	$t_{RISE} = 5\mu s$	250	600	1000	ms
t_R	V_{CC} Slew Rate	4.25V to 4.75V	0			ns

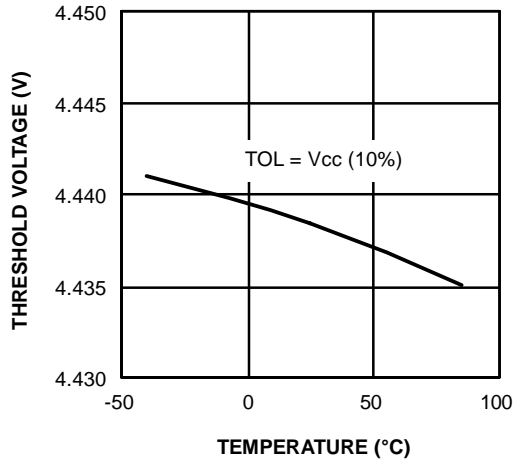
Notes:

- (1) PBRST is internally pulled HIGH to V_{CC} through a nominal 40k Ω resistor (RPU).
- (2) RESET is an open drain output on the CAT1232LP.
- (3) RESET remains within 0.5V of V_{CC} on power-down until V_{CC} falls below 2V. RESET remains within 0.5V of ground on power-down until V_{CC} falls below 2.0V.
- (4) Must not exceed the minimum watchdog time-out period (t_{TD}). The watchdog circuit cannot be disabled. To avoid a reset, ST must be strobed.
- (5) Measured with $V_{CC} \geq 2.7V$.
- (6) Measured with $V_{CC} < 2.7V$.

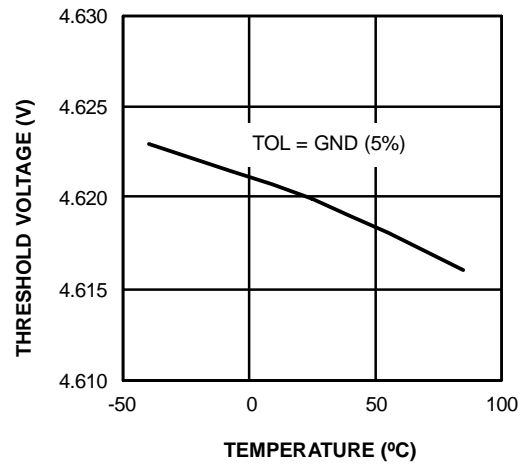
TYPICAL CHARACTERISTICS

For the CAT1232LP, $V_{CC} = 5V$ and $T_{AMB} = 25^{\circ}C$ unless otherwise stated.

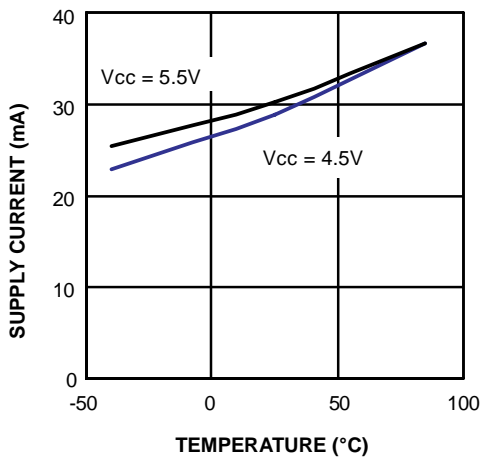
Threshold Voltage vs. Temperature (10% TOL)



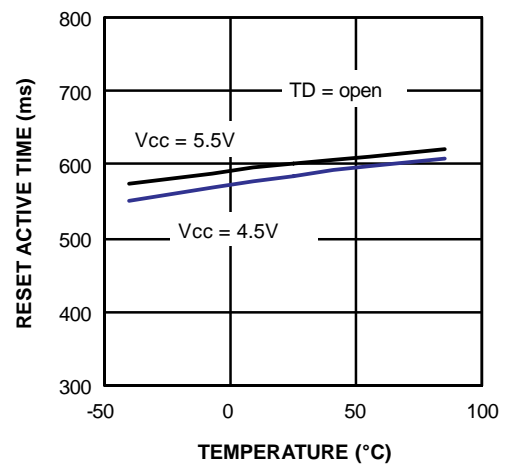
Threshold Voltage vs. Temperature (5% TOL)



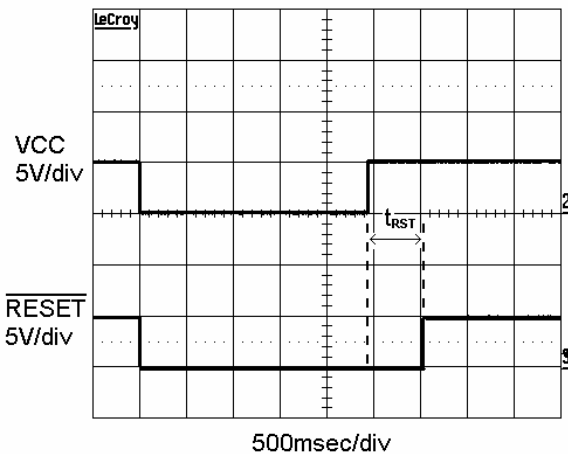
Supply Current vs. Temperature



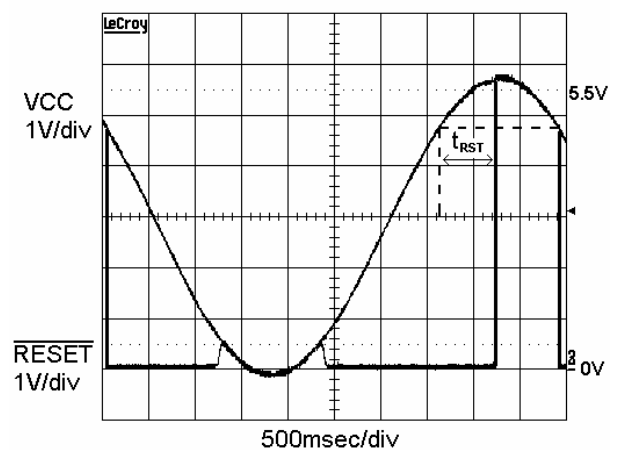
Reset Active Time vs. Temperature



Reset Active Time Waveform



Transient Response



APPLICATION INFORMATION

SUPPLY VOLTAGE MONITOR

Reset Signal Polarity and Output Stage Structure

RESET is an active LOW signal. It is developed with an open drain driver in the CAT1232LP. A pull-up resistor is required, typical values are 10kΩ to 50kΩ. The CAT1832 uses a CMOS push-pull output stage for the RESET.

RESET is an active High signal developed by a CMOS push-pull output stage and is the logical opposite to RESET.

Trip Point Tolerance Selection

The TOL input is used to select the V_{CC} trip point threshold. This selection is made connecting the TOL input to ground or V_{CC} . Connecting TOL to Ground makes the V_{CC} trip threshold 4.62V for the CAT1232LP and 2.88V for the CAT1832.

Connecting TOL to V_{CC} makes the V_{CC} trip threshold 4.37V for the CAT1232LP and 2.55V for the CAT1832.

After V_{CC} has risen above the trip point set by TOL, RESET and RESET remain active for a minimum time period of 250ms.

On power-down, once V_{CC} falls below the reset threshold the RESET outputs will remain active and are guaranteed valid down to a V_{CC} level of 1.0V.

Tolerance Select Voltage	Trip Point Tolerance	Trip Point Voltage (V)		
		MIN	NOMINAL	MAX
CAT1232LP TOL = V_{CC}	10 %	4.25	4.37	4.49
CAT1232LP TOL = GND	5 %	4.50	4.62	4.74
CAT1832 TOL = V_{CC}	20 %	2.47	2.55	2.64
CAT1832 TOL = GND	10 %	2.80	2.88	2.97

Manual Reset Operation

Push-button input, PBRST, allows the user to issue reset signals. The pushbutton input is debounced and is pulled high through an internal 40kΩ resistor.

When PBRST is held low for the minimum time of 20ms, both resets become active and remain active for a minimum time period of 250ms after PBRST returns high.

No external pull-up resistor is required, since PBRST is pulled high by an internal 40kΩ resistor.

PBRST can be driven from a TTL or CMOS logic line or short-ed to ground with a mechanical switch.

Figure 1. Timing Diagram: Power Up

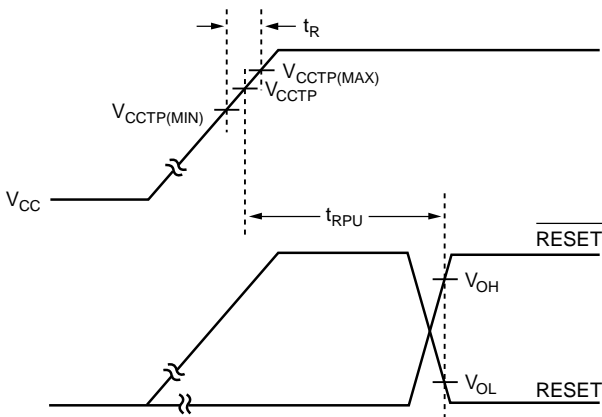
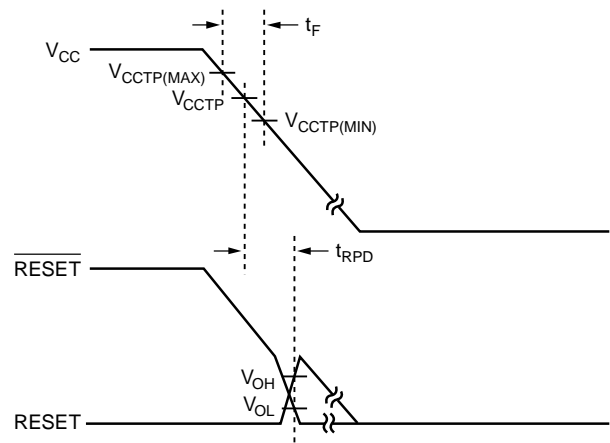


Figure 2. Timing Diagram: Power Down



WATCHDOG TIMER AND ST INPUT

A watchdog timer stops and restarts a microprocessor that has stopped proper operation or become “hung”. The watchdog performs this function by monitoring the ST input. After the reset outputs go inactive the ST input must be strobed with a high-to-low signal transition prior to the minimum watchdog timeout period. However if the ST input is not strobed with a high-to-low signal transition prior to a watchdog timeout the reset outputs will become active for TRST resetting and restarting the microprocessor. Once the resets return to the inactive state the watchdog timer restarts the process.

The TD input allows the user to select from three predetermined watchdog timeout periods. Always use the minimum timeout period to determine the required frequency of ST high-to-low transitions and the maximum to determine the time prior to the reset outputs becoming active. ST pulse widths must be 20ns or greater.

The watchdog timer cannot be disabled. It must be strobed with a high-to-low signal transition to avoid a watchdog timeout and subsequent reset.

TD Voltage Level	Watchdog Time-out Period (ms)		
	MIN	NOMINAL	MAX
GND	62.5	150	250
Floating	250	600	1000
V _{CC}	500	1200	2000

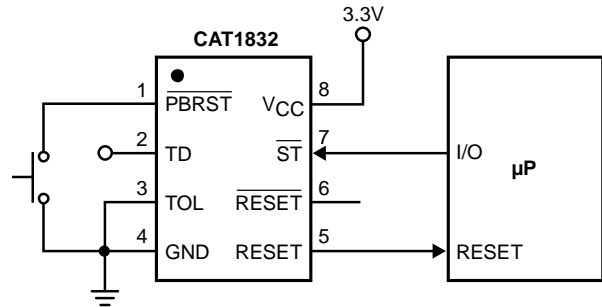


Figure 4. CAT1832 Application Circuit: Pushbutton Reset

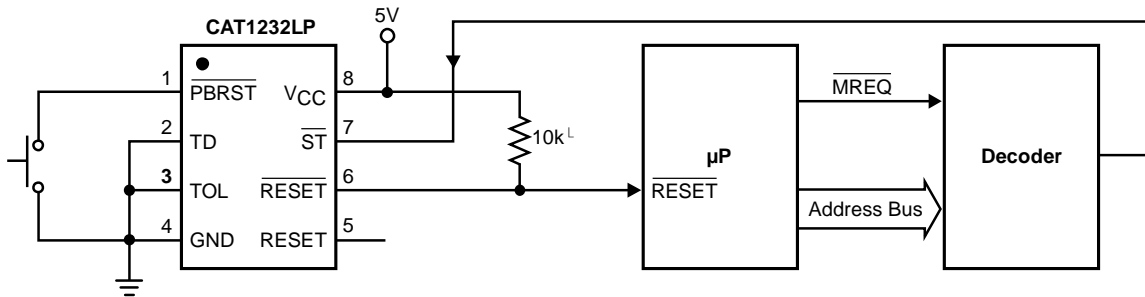


Figure 5. CAT1232LP Application Circuit: Watchdog Timer

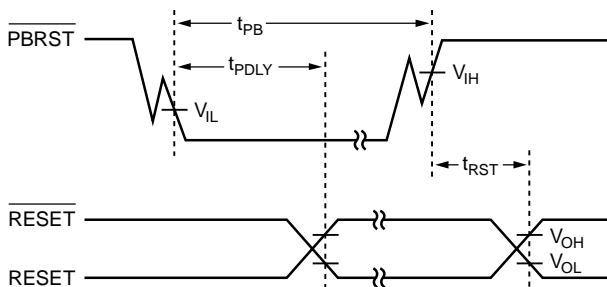
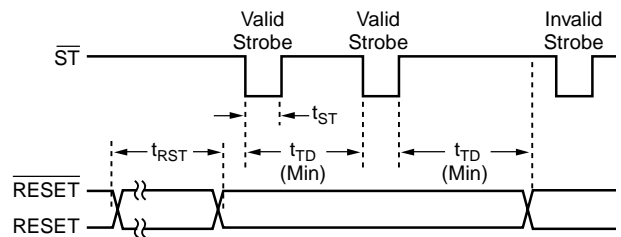


Figure 6. Timing Diagram: Pushbutton Reset

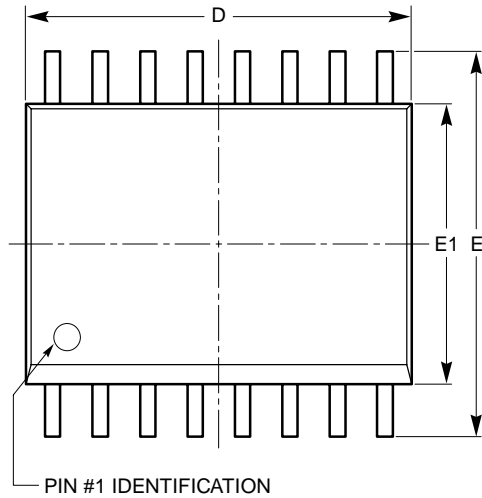


Note: ST is ignored whenever a reset is active

Figure 7. Timing Diagram: Strobe Input

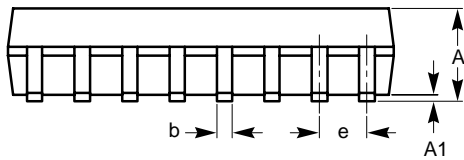
PACKAGE OUTLINE DRAWINGS

SOIC 16-Lead 300mils (W)⁽¹⁾⁽²⁾

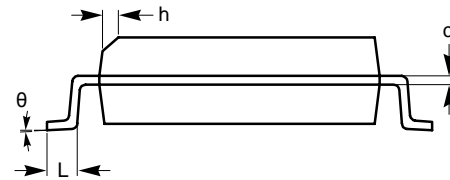


TOP VIEW

SYMBOL	MIN	NOM	MAX
A	2.36	2.49	2.64
A1	0.10		0.30
b	0.33	0.41	0.51
c	0.18	0.23	0.28
D	10.08	10.31	10.49
E	10.01	10.31	10.64
E1	7.39	7.49	7.59
e	1.27 BSC		
h	0.25		0.75
L	0.38	0.81	1.27
θ	0°		8°



SIDE VIEW



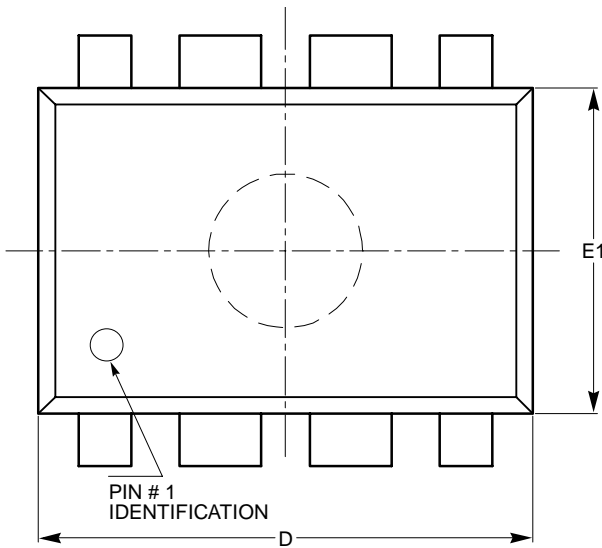
END VIEW

For current Tape and Reel information, download the PDF file from:
<http://www.catsemi.com/documents/tapeandreel.pdf>.

Notes:

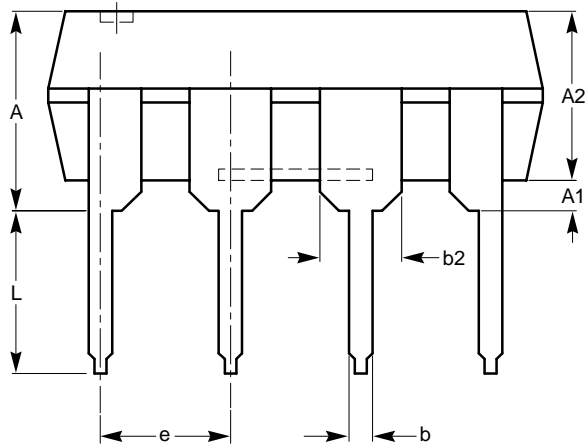
- (1) All dimensions are in millimeters.
- (2) Complies with JEDEC MS-013.

PDIP 8-Lead 300mils (L)⁽¹⁾⁽²⁾

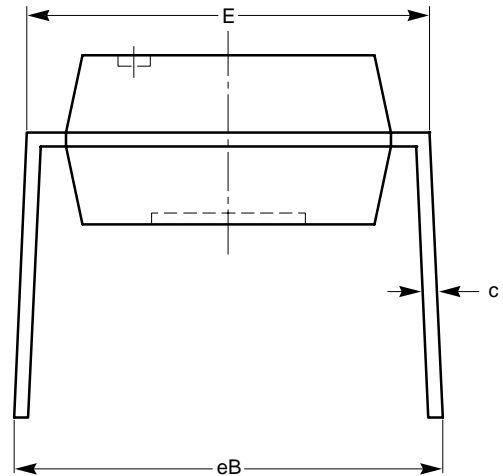


TOP VIEW

SYMBOL	MIN	NOM	MAX
A			5.33
A1	0.38		
A2	2.92	3.30	4.95
b	0.36	0.46	0.56
b2	1.14	1.52	1.78
c	0.20	0.25	0.36
D	9.02	9.27	10.16
E	7.62	7.87	8.25
e	2.54 BSC		
E1	6.10	6.35	7.11
eB	7.87		10.92
L	2.92	3.30	3.80



SIDE VIEW



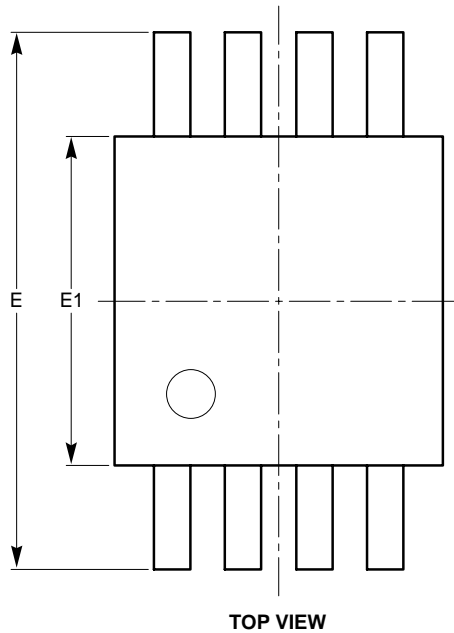
END VIEW

For current Tape and Reel information, download the PDF file from:
<http://www.catsemi.com/documents/tapeandreel.pdf>.

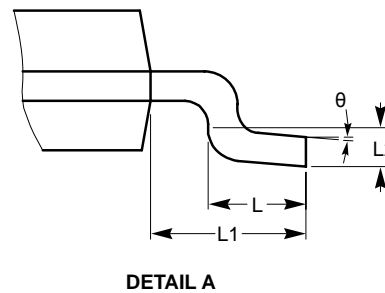
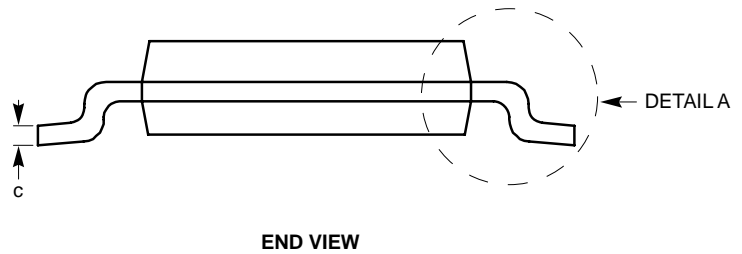
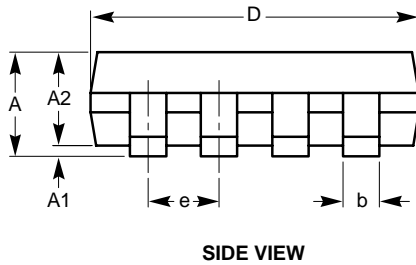
Notes:

- (1) All dimensions are in millimeters.
- (2) Complies with JEDEC MS-001.

MSOP 8-Lead (Z) ⁽¹⁾⁽²⁾



SYMBOL	MIN	NOM	MAX
A			1.10
A1	0.05	0.10	0.15
A2	0.75	0.85	0.95
b	0.22		0.38
c	0.13		0.23
D	2.90	3.00	3.10
E	4.80	4.90	5.00
E1	2.90	3.00	3.10
e	0.65 BSC		
L	0.40	0.60	0.80
L1	0.95 REF		
L2	0.25 BSC		
θ	0°		6°

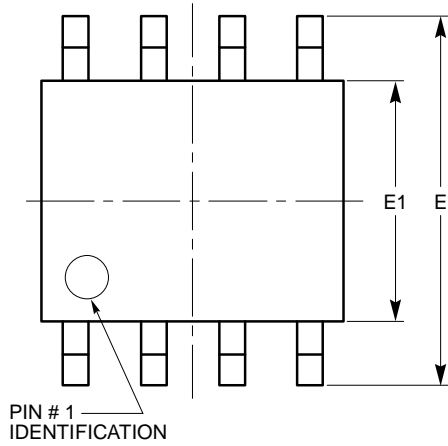


For current Tape and Reel information, download the PDF file from:
<http://www.catsemi.com/documents/tapeandreeel.pdf>.

Notes:

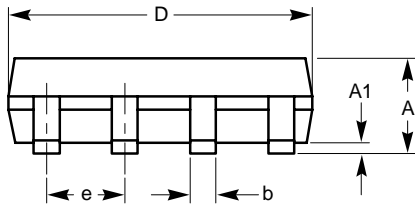
- (1) All dimensions are in millimeters. Angles in degrees.
- (2) Complies with JEDEC MO-187.

SOIC 8-Lead 150mils (W) ⁽¹⁾⁽²⁾

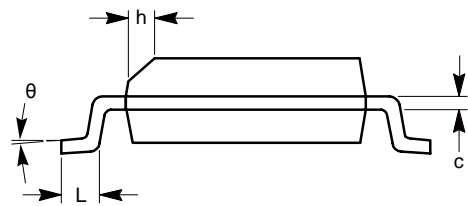


TOP VIEW

SYMBOL	MIN	NOM	MAX
A	1.35		1.75
A1	0.10		0.25
b	0.33		0.51
c	0.19		0.25
D	4.80		5.00
E	5.80		6.20
E1	3.80		4.00
e	1.27 BSC		
h	0.25		0.50
L	0.40		1.27
θ	0°		8°



SIDE VIEW



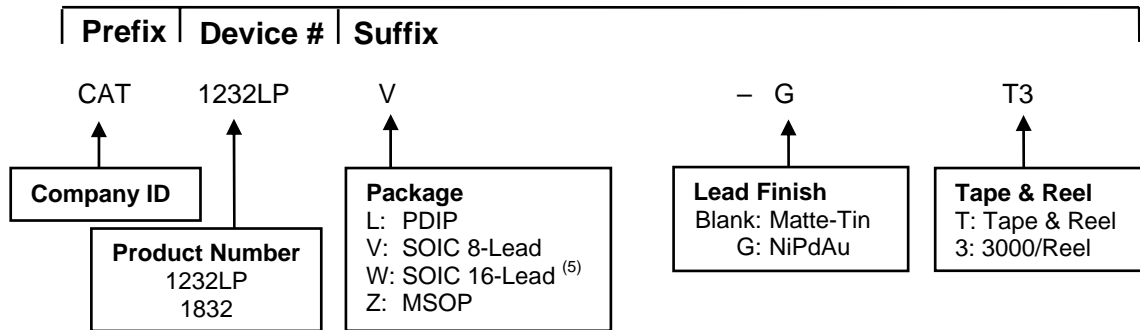
END VIEW

For current Tape and Reel information, download the PDF file from:
<http://www.catsemi.com/documents/tapeandreeel.pdf>.

Notes:

- (1) All dimensions are in millimeters. Angles in degrees.
- (2) Complies with JEDEC MS-012.

EXAMPLE OF ORDERING INFORMATION




ORDERING PART NUMBER	Package	Parts per Tube	Parts Per Reel	Reel Size (inch)
CAT1232LPL-G	8-lead, DIP	50	—	—
CAT1232LPV-GT3	8-lead, SOIC	—	3,000	13
CAT1232LPZ-GT3	MSOP	—	3,000	13
CAT1232LPW-T2	16-lead, SOIC	—	2,000	13
CAT1832L-G	8-lead, DIP	50	—	—
CAT1832V-GT3	8-lead, SOIC	—	3,000	13
CAT1832Z-GT3	MSOP	—	3,000	13

Notes:

- (1) All packages are RoHS-compliant (Lead-free, Halogen-free).
- (2) The standard lead finish is NiPdAu.
- (3) The device used in the above example is a CAT1232LPV-GT3 (SOIC 8-Lead, NiPdAu, Tape & Reel).
- (4) For additional package and temperature options, please contact your nearest ON Semiconductor Sales office.
- (5) The SOIC 16-Lead package is only available in Matte-Tin finish.

REVISION HISTORY

Date	Rev.	Description
13-Jun-05	00	Initial Issue
26-Jul-05	0A	Update Electrical Characteristics Add Typical Characteristics
37-Mar-06	0B	Update Document Title Update Ordering Information
27-Nov-06	0C	Add Ordering Information detail to page 1 Update Sample of Ordering Information
13-Nov-07	D	Update Package Outline Drawings Update Example of Ordering Information Change document number from 25088, Rev. 0C
6-Nov-08	E	Change logo and fine print to ON Semiconductor

ON Semiconductor and  are registered trademarks of Semiconductor Components Industries, LLC (SCILLC). SCILLC reserves the right to make changes without further notice to any products herein. SCILLC makes no warranty, representation or guarantee regarding the suitability of its products for any particular purpose, nor does SCILLC assume any liability arising out of the application or use of any product or circuit, and specifically disclaims any and all liability, including without limitation special, consequential or incidental damages. "Typical" parameters which may be provided in SCILLC data sheets and/or specifications can and do vary in different applications and actual performance may vary over time. All operating parameters, including "Typicals" must be validated for each customer application by customer's technical experts. SCILLC does not convey any license under its patent rights nor the rights of others. SCILLC products are not designed, intended, or authorized for use as components in systems intended for surgical implant into the body, or other applications intended to support or sustain life, or for any other application in which the failure of the SCILLC product could create a situation where personal injury or death may occur. Should Buyer purchase or use SCILLC products for any such unintended or unauthorized application, Buyer shall indemnify and hold SCILLC and its officers, employees, subsidiaries, affiliates, and distributors harmless against all claims, costs, damages, and expenses, and reasonable attorney fees arising out of, directly or indirectly, any claim of personal injury or death associated with such unintended or unauthorized use, even if such claim alleges that SCILLC was negligent regarding the design or manufacture of the part. SCILLC is an Equal Opportunity/Affirmative Action Employer. This literature is subject to all applicable copyright laws and is not for resale in any manner.

PUBLICATION ORDERING INFORMATION

LITERATURE FULFILLMENT:

Literature Distribution Center for ON Semiconductor
P.O. Box 5163, Denver, Colorado 80217 USA
Phone: 303-675-2175 or 800-344-3860 Toll Free USA/Canada
Fax: 303-675-2176 or 800-344-3867 Toll Free USA/Canada
Email: orderlit@onsemi.com

N. American Technical Support: 800-282-9855 Toll Free
USA/Canada
Europe, Middle East and Africa Technical Support:
Phone: 421 33 790 2910
Japan Customer Focus Center:
Phone: 81-3-5773-3850

ON Semiconductor Website: www.onsemi.com

Order Literature: <http://www.onsemi.com/orderlit>

For additional information, please contact your local Sales Representative